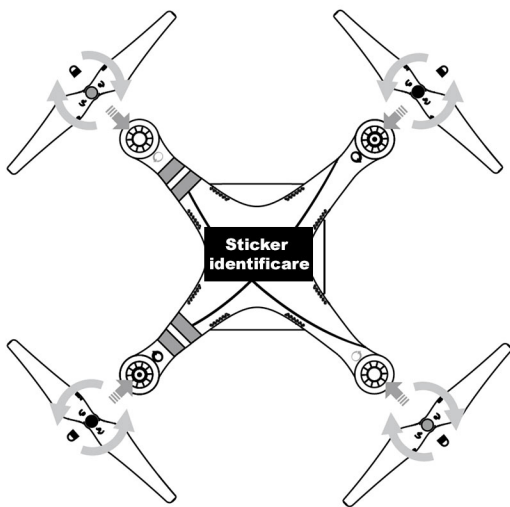
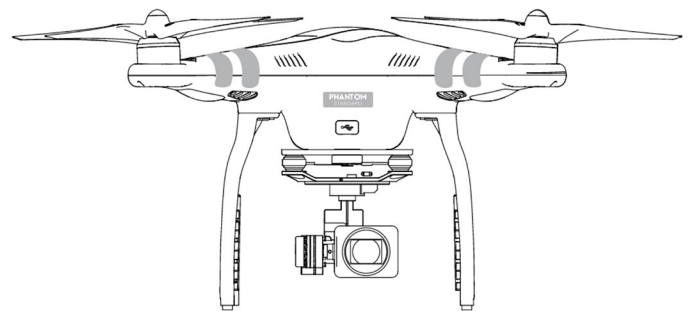


VEDERE DE SUS



VEDERE LATERALA



Designed by			Scale:	Drawing No. 1	Sheet of
Drawn by					
Checked by					
Approved by			Netto:		
			Drawing Size:	Description	
			Date: 12.02.2016	Pozitionare Insemne de identificare drona	