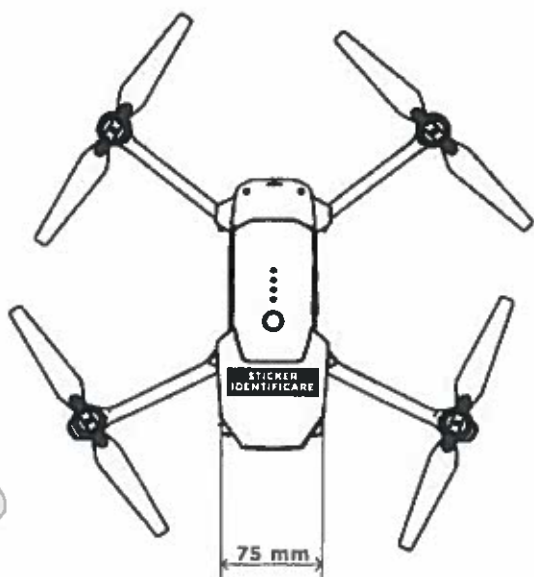
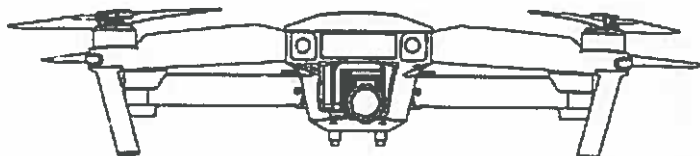


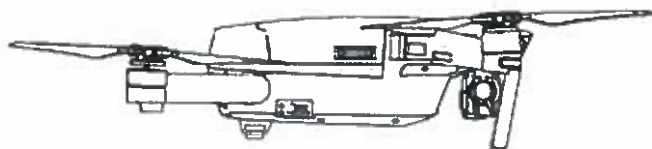
VEDERE DE SUS



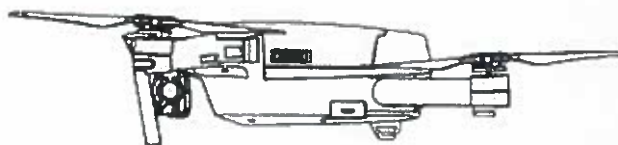
VEDERE FRONTALA



VEDERE LATERAL-DREAPTA



VEDERE LATERAL-STANGA



Designed by		Scale:	Drawing No. 1	Sheet of
Drawn by				
Checked by				
Approved by		Netto:		
		Drawing Size:	Description	
		Date: 25.01.2017	Pozitionare Insemne de identificare drona	